

RICKENBACKER
AIR NATIONAL GUARD BASE

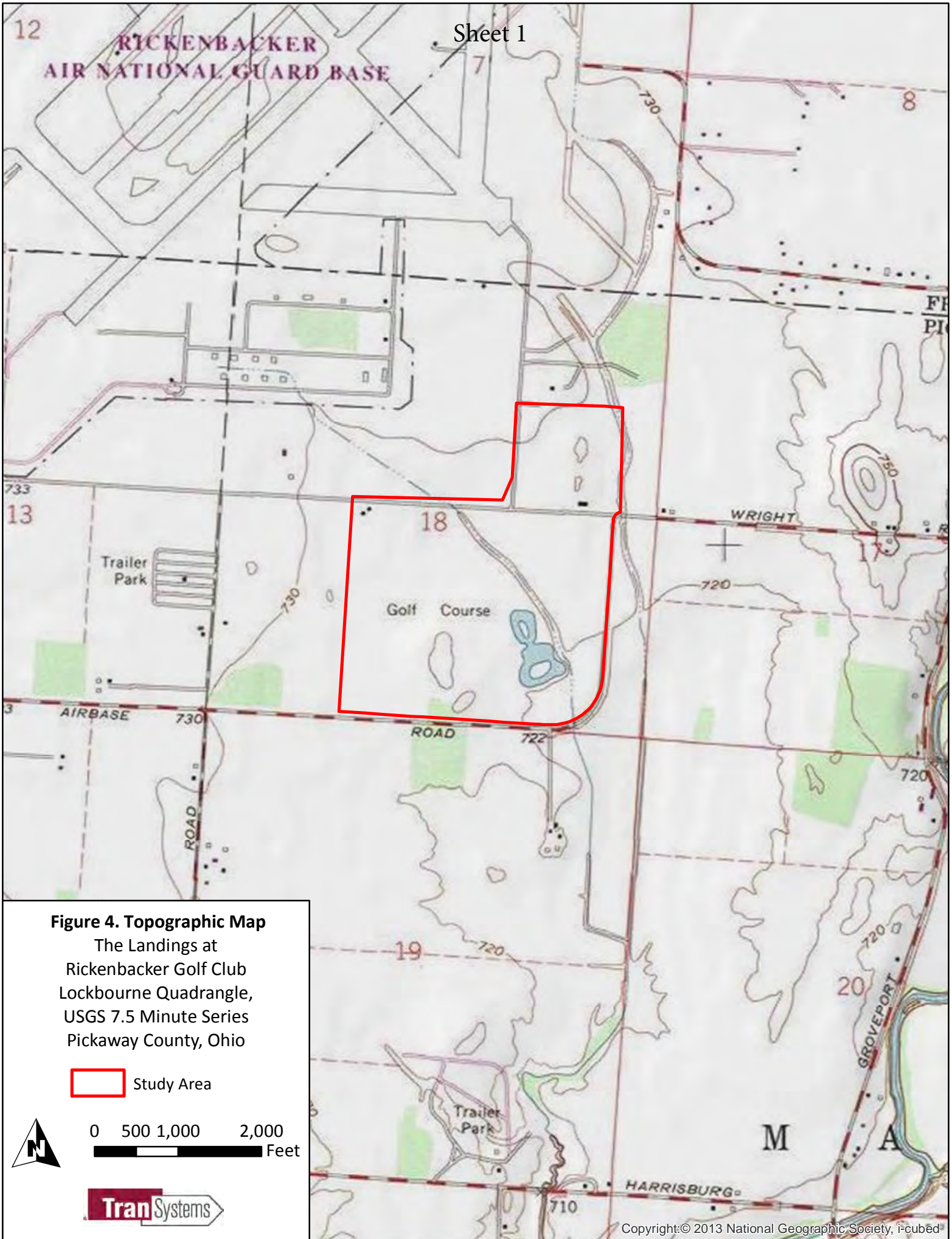


Figure 4. Topographic Map

The Landings at
Rickenbacker Golf Club
Lockbourne Quadrangle,
USGS 7.5 Minute Series
Pickaway County, Ohio

 Study Area



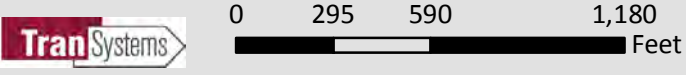
0 500 1,000 2,000
Feet



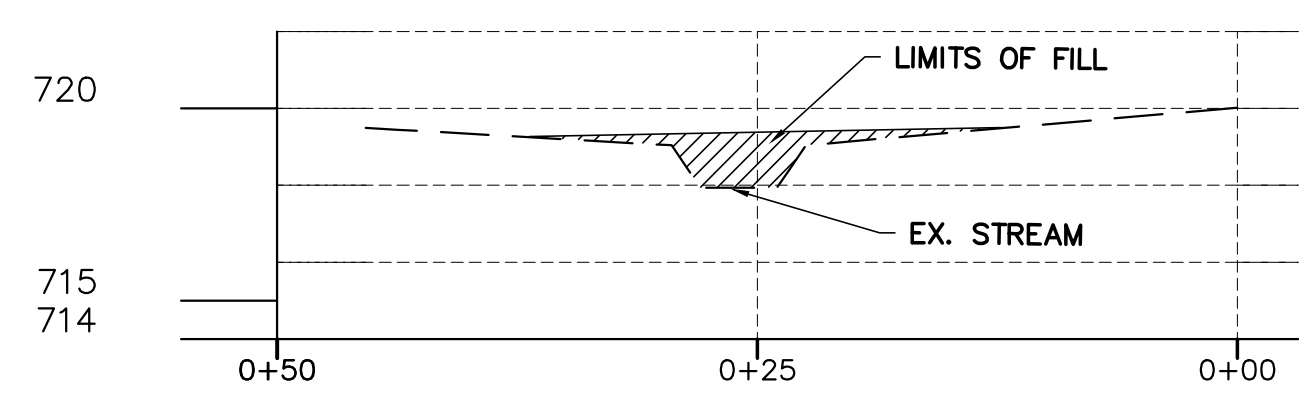
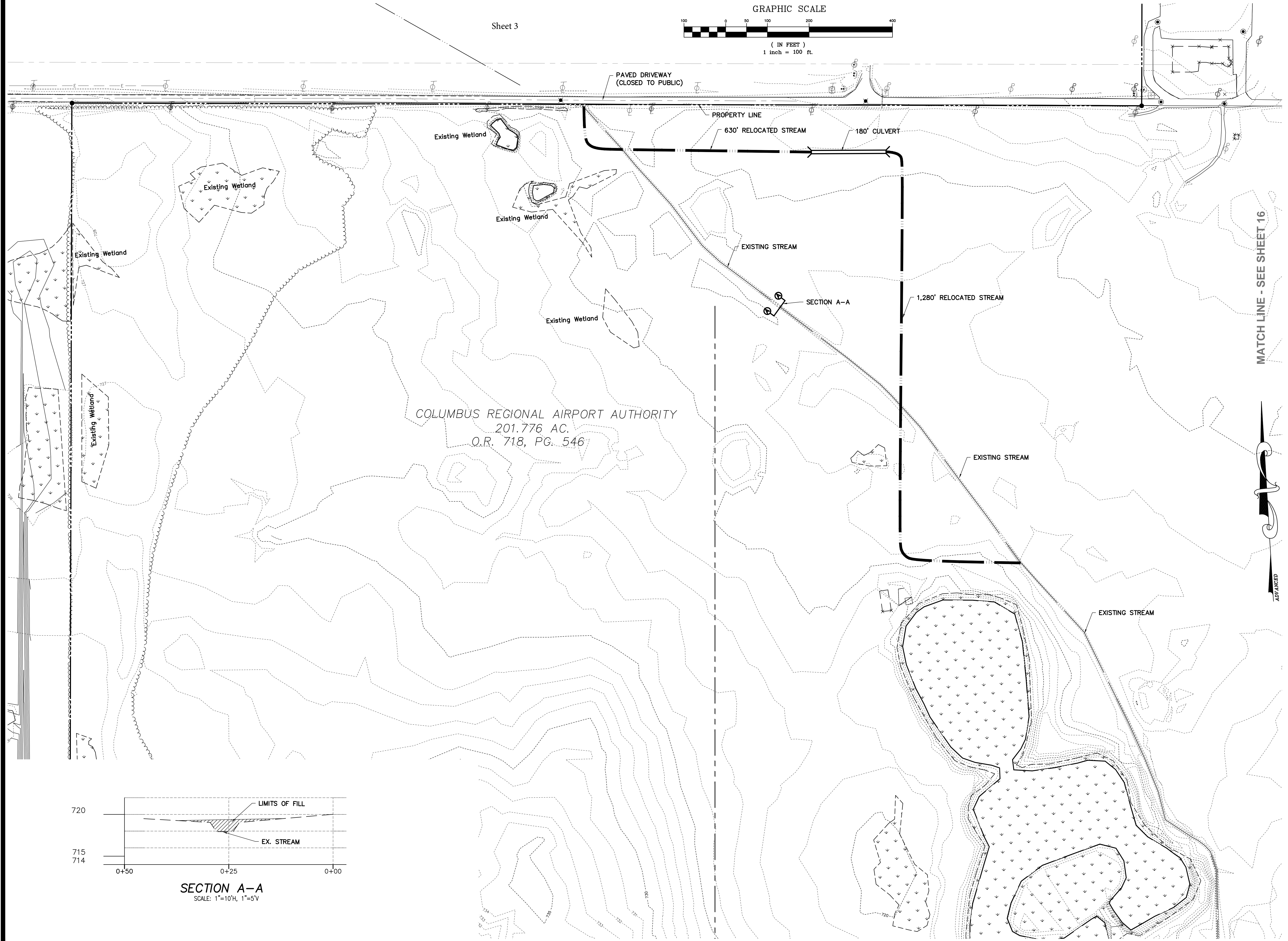
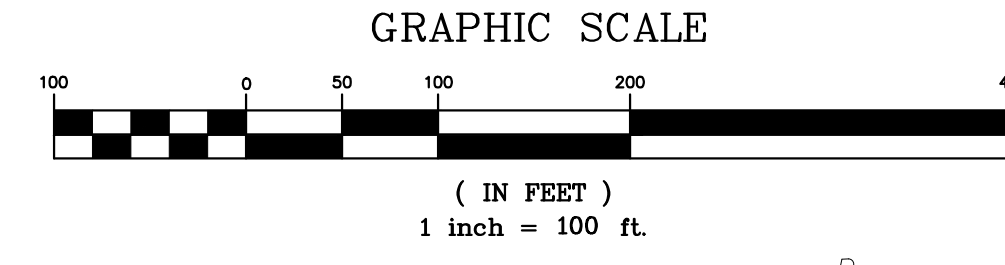
Figure 2- Alternative 1 (LEDPA)
The Landings at Rickenbacker Golf Club
Pickaway County, Ohio



- Project Limits
- Ditch
- Streams
- Relocated Stream
- Wetlands



Sheet 3



MATCH LINE - SEE SHEET 16

422 Brecker Road
Columbus, Ohio 43230
Phone: 614.428.7750
Fax: 614.428.7755

ADVANCED
CIVIL DESIGN
ENGINEERS SURVEYORS

Rickenbacker
GLOBAL LOGISTICS PARK

Scale: 1" = 100'	Date: 08/07/17	Drawn By: JLB	Checked By: JDW
---------------------	-------------------	------------------	--------------------

RICKENBACKER GLOBAL LOGISTICS
INTERMODAL CAMPUS
SCHEMATIC STREAM RELOCATION PLAN

Drawing Number:
1 / 1

A/E Job Number:
15-0068-08

C:\15-0068-08\DWG\PRODUCTION DRAWINGS\EXHIBIT\15-0068-08-STREAM.dwg Layout1 Aug 07, 2017 - 2:18:42pm jmh:bare